

37345-RL

25A 380VAC

Resistance Control Solid State Module

Phase Controlled, Opto-Isolated, Solid State Control Module.
Resistance controls Output ON Time

SPST-NO AC Only

LOAD CURRENT: 25A

LOAD VOLTAGE: 24-380VAC

CONTROL RESISTANCE:

250K Ω @ 110VAC

500K Ω @ 220VAC

1M Ω @ 380VAC

ON Voltage Drop: <1.6VAC

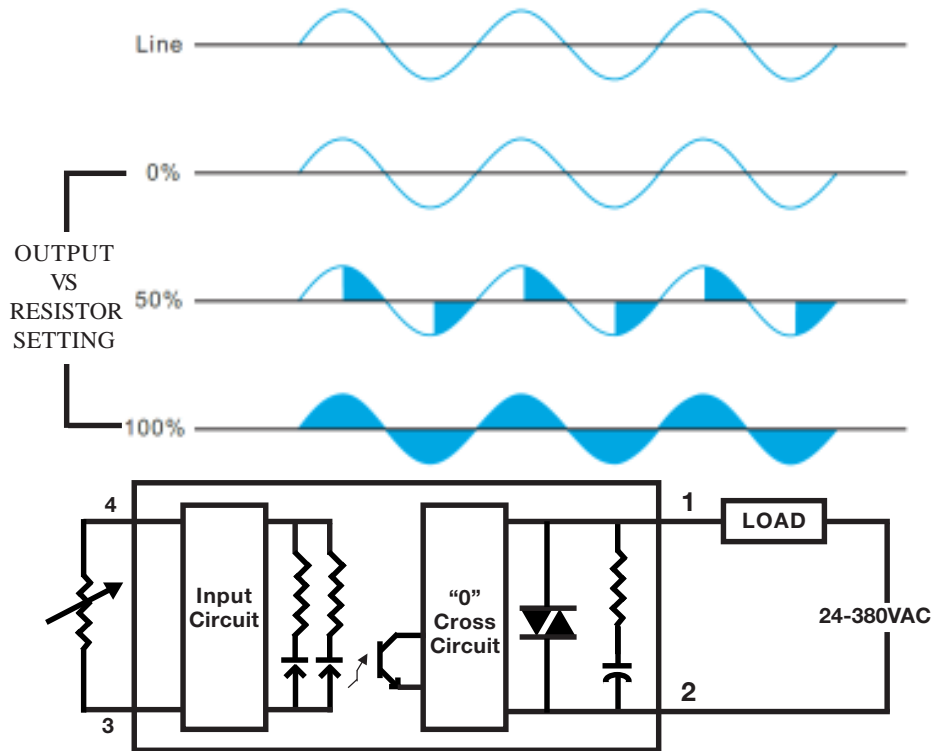
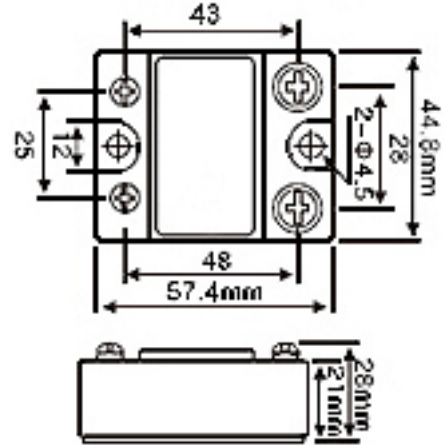
OFF Leakage: <5mA

Dielectric Strength: 2500VAC

Temperature Range: -30 to +70 C

Screw terminals. CE Listed.

L: 2-7/16" W: 1-3/4" H: 1" WT: .3



Information obtained from or supplied by Mpja.com or Marlin P. Jones and Associates inc. is supplied as a service to our customers and accuracy is not guaranteed nor is it definitive of any particular part or manufacturer. Use of information and suitability for any application is at users own discretion and user assumes all risk.



MARLIN P. JONES & ASSOC., INC.

P.O. Box 530400 Lake Park, FL 33403

800-652-6733 FAX 561-844-8764

WWW.MPJA.COM